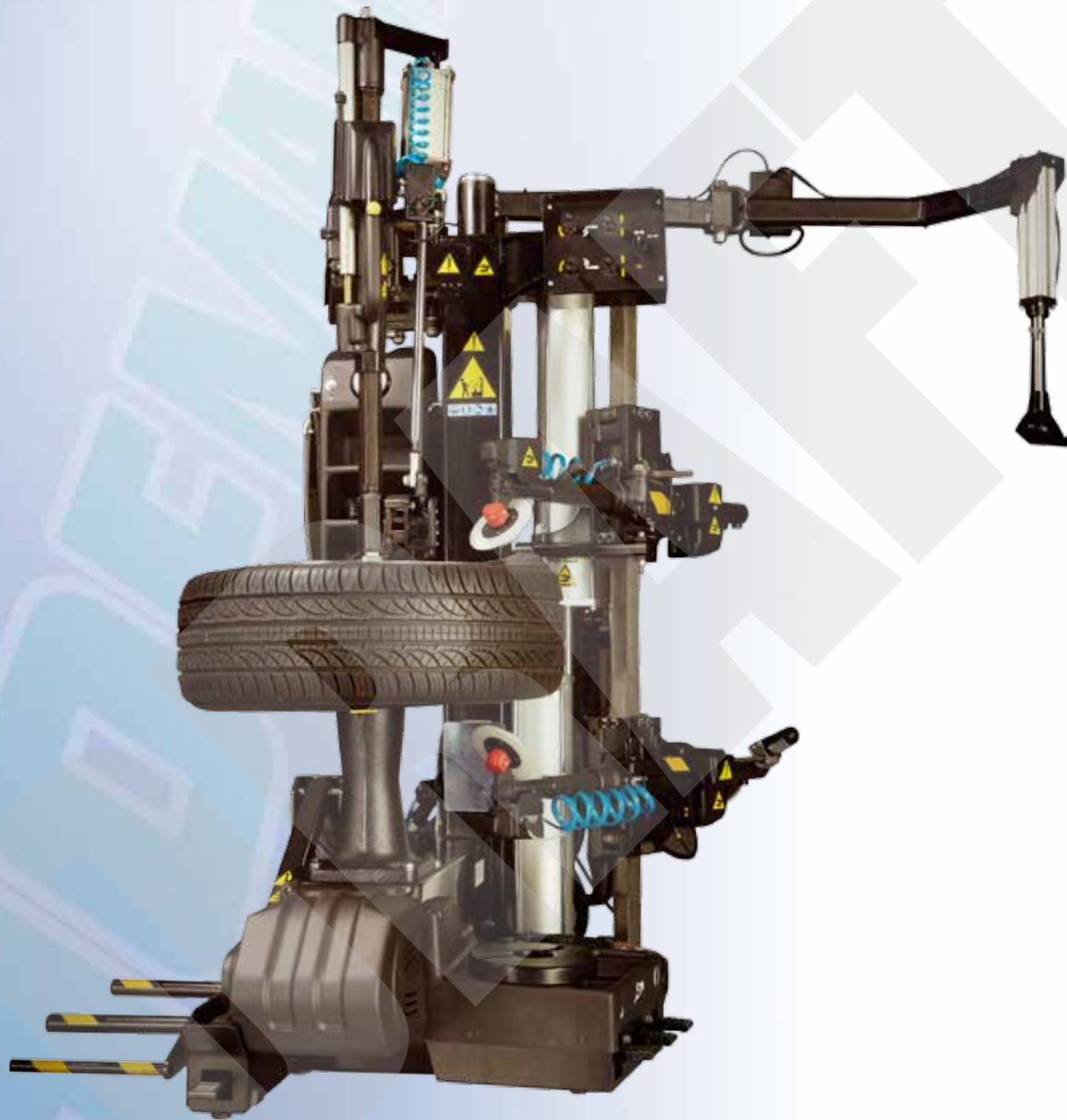


HOFMANN®



monty 8600

TIRE CHANGER

HIGH-PRODUCTIVITY DUAL BEAD BREAKER TIRE CHANGER

MONTY 8600 LEVERLESS HIGH-PRODUCTIVITY TIRE CHANGER FOR PASSENGER CAR, LIGHT TRUCK AND SUV TIRES



ESDB® (ELECTRONIC SYNC DUAL BEAD BREAKER)

- Laser pointer for precise mounting tool positioning
- Electronically synchronized dual-disc bead breaker with servo drive
- Bead roller is effective on both soft and stiff sidewalls
- Dual bead breaker allows ergonomic upright body position
- Leverless design prevents tire bead and sidewall damage

QUICK FIT CENTER WHEEL CLAMPING

- Center wheel clamping provides easy and precise wheel mounting while avoiding damage
- Precise centering prevents rim edge contact with the mounting tool
- Two speed system provides both precision and productivity for mounting and demounting



ERGONOMIC DESIGN FOR SAFE AND EFFICIENT USE

Leverless demounting and powered wheel lift reduce technician fatigue and opportunity for injury. Dual disc bead breakers are servo positioned and electronically synchronized so the technician can efficiently maintain a safe and ergonomic body position.



WHEEL LIFT

Reduces fatigue and the chance for injury presented by handling heavy tires and rims

WHEEL CENTER PILOT HOLE CLAMPING

Center piloting eliminates rim edge damage and provides positive center hole clamping using a cone and quick nut

LASER POSITIONED TOOLING

Precise rim edge positioning prevents damage to the wheel or tire due to misaligned tool

ERGONOMIC DUAL BEAD BREAKERS

Easily positioned upper bead breaker and servo driven lower bead breaker. Lower bead breaker is automatically positioned via the upper bead breaker position

LEVERLESS DEMOUNT HEAD

Integrated demounting finger gently pulls the bead over the rim edge, reducing the possibility of tire or wheel damage

BEAD ASSIST

Follows the rotation to position the bead in the wheel's drop center on difficult, stiff side wall, tires

INTEGRATED TIRE INFLATION SYSTEM

Quick and safe top side bead seating and inflation included

STORAGE COMPARTMENT

Easy access for tools and accessories

monty 8600

HOFMANN®



SPECIFICATIONS

Equipment Specifications

- Wheel diameter: 12" - 30" (30.5cm - 76cm)
- Maximum wheel with: 15" (38cm)
- Maximum tire diameter: 47" (119cm)
- Maximum tire weight: 154 lbs (70kg)
- Mounting speeds: CW 7/14 RPM - CCW 7 RPM
- Bead breaker range: 28" (71cm)
- Bead breaker stroke: 11" (28cm)
- Bead breaker force: 2585 lbs (1173kg)
- Maximum torque: 1106 ft*lbs
- Dimensions (D x W x H):
70" x 89" x 59" (178cm x 226cm x 150cm)
- Noise level: <70dB
- Shipping weight: 946 lbs (429kg)
- Compressed air supply:
110 - 140 psi (7.5 BAR - 9.6 BAR)
- Power requirements: 200-240V 1Ph 50/60Hz

ACCESSORIES

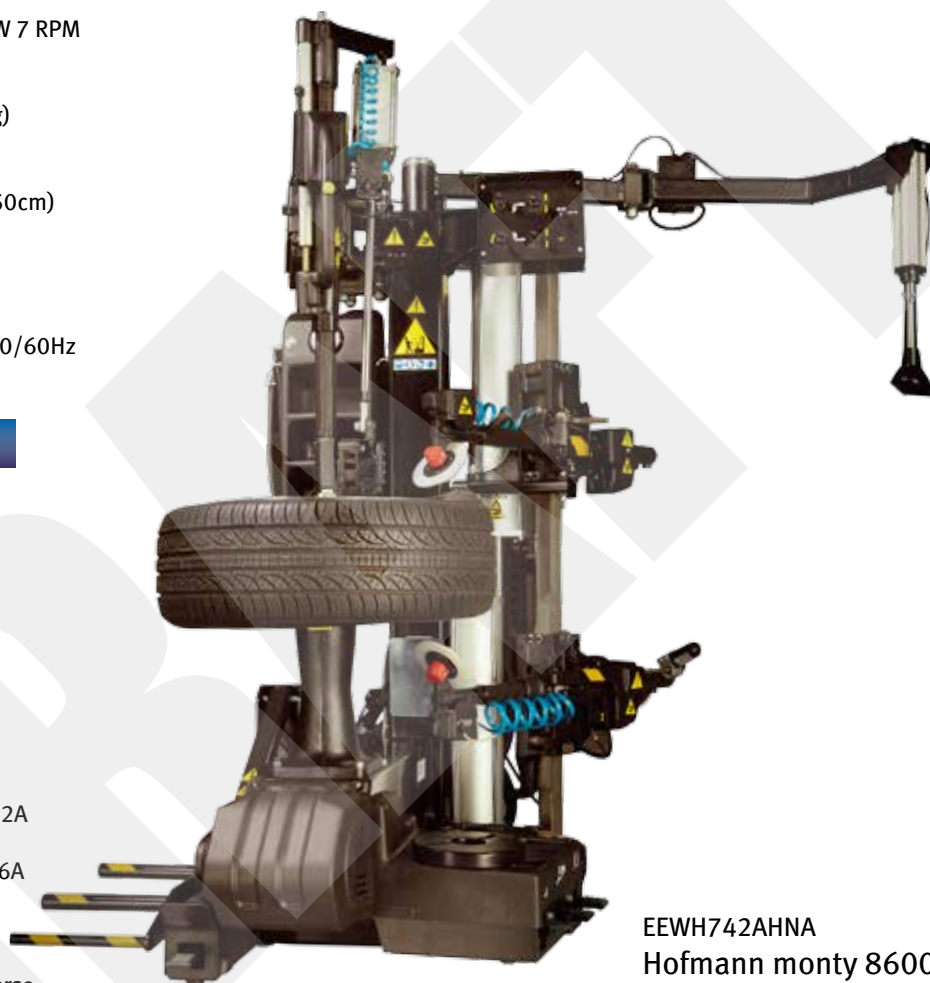
Standard Accessories

- Quick-clamping nut: EAA0348G20A
- Clamping shaft: EAA0344G40A
- 2.52" cone: EAM0058G12A
- 3.07" cone: EAM0058G07A
- 4.72" cone: EAC0099G40A
- 5.70" cone: EAC0102G25A
- Bead clamp: EAA0358G85A
- Magic bead pusher: EAA0377G23A
- Plastic tire protector: EAA0332G38A
- Plastic wheel protectors: EAA0304G52A
- Lube brush: EAA0304G16A
- Tool for bead extraction: EAA0378G36A
- Rim protection disc: EAC0094G09A

Optional Accessories

Optional accessories are available for reverse mount wheels and large pilot hole truck wheels

- Reverse mounted wheel kit: EAA0350G58A
- Closed center wheel kit: EAA0350G60A
- Light truck wheel kit: EAA0349G06A



EEWH742AHNA
Hofmann monty 8600

HOFMANN®



USA

309 Exchange Avenue • Conway, AR 72032
(800) 251-4500 • (501) 505-2662
Fax (501) 450-2085 • www.hofmann-usa.com

Canada

6500 Millcreek Drive • Mississauga, ONT L5N 2W6
(800) 267-2185
Fax (905) 821-2073 • www.hofmann.ca